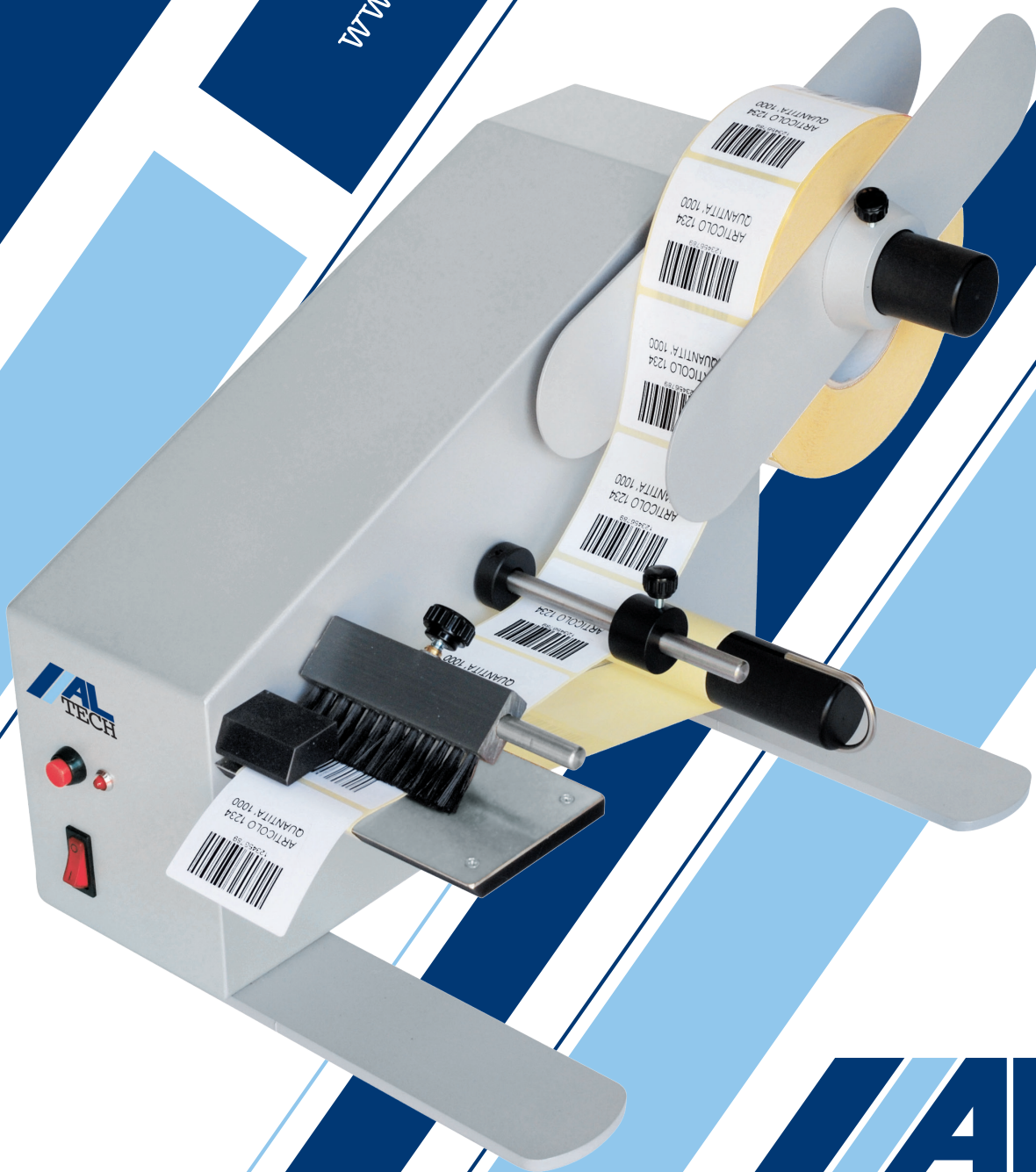


www.ALtech-UK.com

AL
TECH UK



AL
peel

Semi Automatic Label Dispenser

Image above shows ALpeel 100 photocell

ALpeel is a fully metallised industrial label dispenser which is easy to operate and extremely flexible, working with virtually any type of label commonly in use.

It can dramatically improve the efficiency of many manual label application tasks, often providing the best compromise on the rare occasion it is either not possible or not cost effective to implement a fully automatic labelling solution.

Fully motorised, ALpeel operates via peeling and presenting the label off its backing paper on a one-for-one basis, indexing the reel automatically either as the last label is removed or when manually prompted by the operator. It can accommodate label reels up to an impressive 300mm outside diameter which is significantly more than even the highest capacity desktop label printer, meaning you can be sure your label reel will fit the unit.

ALpeel It is available in two model widths, depending on the leading edge dimension of the label. These are:

- up to 100 mm
- up to 200 mm

The minimum recommended pitch of the label is 15mm. The maximum length is 600mm (300mm ALpeel Compact).

ALpeel Photocell

The standard ALpeel unit is fitted with a fixed position self learning photocell label sensor which automatically detects the contrast difference between the label and its carrier backing paper, presenting the label on the peeler almost fully dispensed for easy removal. After the label is removed the next label will be automatically dispensed.

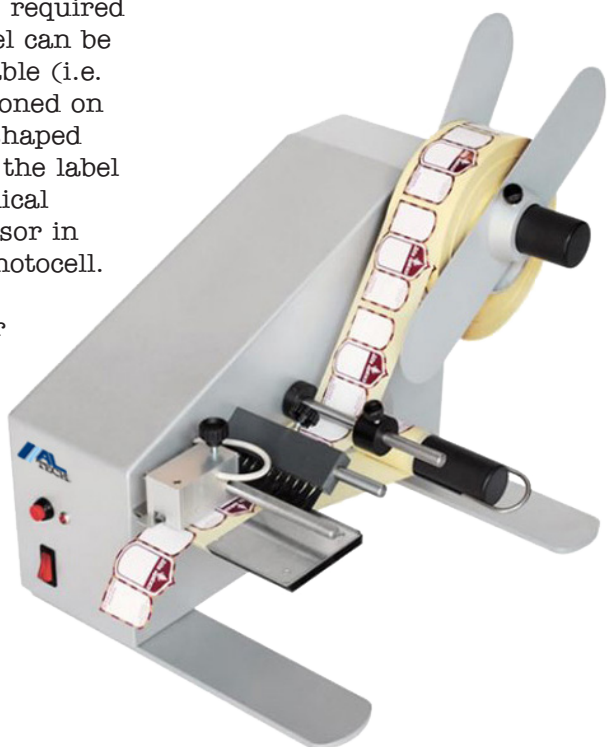


ALpeel 200 photocell with counter

ALpeel Microswitch

Where circular/shaped and/or transparent labels are required to be dispensed, ALpeel can be supplied with a moveable (i.e. allowing it to be positioned on the arc of a circle or shaped label to correctly stop the label on the peeler) mechanical micro switch label sensor in lieu of the standard photocell.

The mechanical sensor detects the difference in the label thickness from the backing paper rather than the contrast difference. However it should be noted that the micro switch version of the machine includes a 'clicker' which requires pressing for the next label to be dispensed (can normally be activated as the last label is removed) rather than auto advancing as per the photocell version.



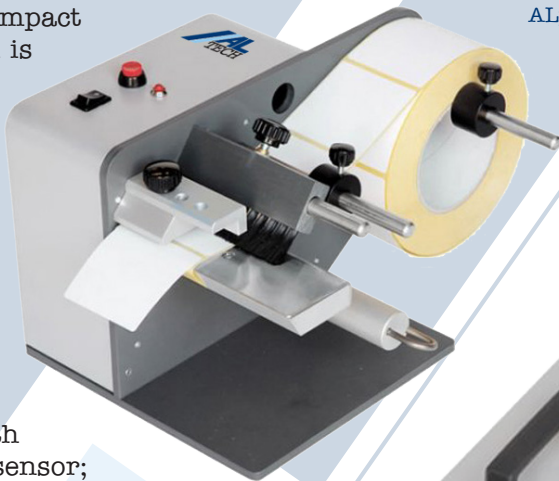
ALpeel 100 with microswitch

ALpeel Compact

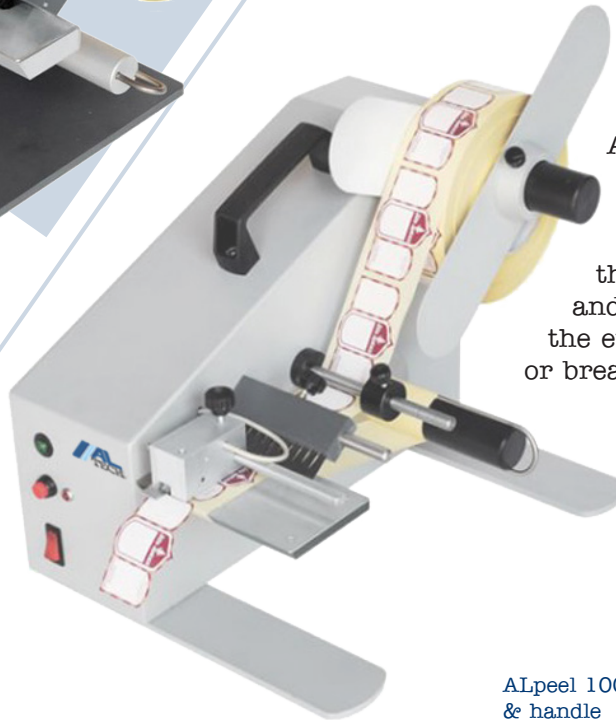
A special ultra compact version of ALpeel is also available for customers tight on space or not requiring such an industrial machine; e.g. for use in a office.

This version of ALpeel is only available with a photocell label sensor; i.e. it can only be used with non-transparent opaque labels measuring up to a maximum 100mm leading edge.

The ultra compact design also means the maximum diameter of the label reel is reduced to 180mm diameter on a minimum 25mm core.



ALpeel compact



ALpeel 100 microswitch with battery & handle

Counter & Battery Options

Further options for ALpeel include a pre-selection counter - i.e. to dispense a definable quantity of labels, and a battery pack with handle, to allow up to 4 hours of autonomous operation, with built in battery charger mounted internally next to the units control card.

As standard all models also include a manual jog function button positioned on the front of the machine and an acoustic alarm in the event of label reel end or break.

Technical Specifications 100mm

- Label Width: 15-100 mm
- Label length: 15-600 mm
- Speed: 10-15 m/m
- Roll diameter: 300 mm
- Core diameter: 38-110 mm
- Supply voltage: 230V AC 50Hz single phase
- Power consumption: 30 W
- Dimensions: 330x410x370 (H)
- Weight: 9.7 Kg

Technical Specifications 200mm

- Label Width: 15-200 mm
- Label length: 15-600 mm
- Speed: 10-15 m/m
- Roll diameter: 300 mm
- Core diameter: 38-110 mm
- Supply voltage: 230V AC 50Hz single phase
- Power consumption: 30 W
- Dimensions: 430x410x370 (H)
- Weight: 11 Kg

Technical Specifications Compact

- Label Width: 15-100 mm
- Label length: 15-300 mm
- Speed: 10 m/m
- Roll diameter: 180 mm
- Core diameter 25-76 mm
- Supply voltage: 230V AC 50Hz single phase
- Power consumption: 30 W
- Dimensions: 158x250x167 (H)
- Weight: 3.2 Kg



Tel: 0800 612 6205
Int: +44(0)1656 654 403
Fax: +44(0)1656 649 555
E-Mail: sales@altech-uk.com
Web: www.ALTECH-UK.com

ALTech UK Labelling Technologies Ltd
Unit 2220, Central Park, Western
Avenue, Bridgend, Mid Glamorgan,
South Wales. CF31 3RT